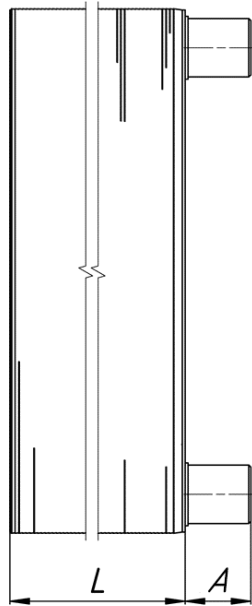
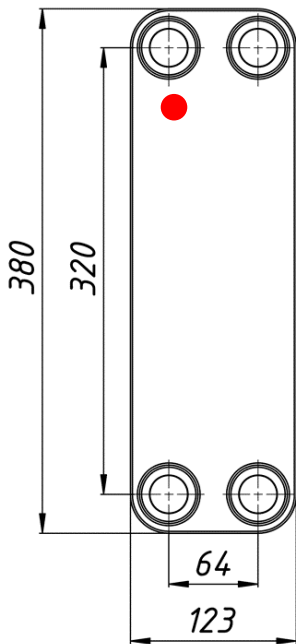


NB 134/136/138

Dimensions.

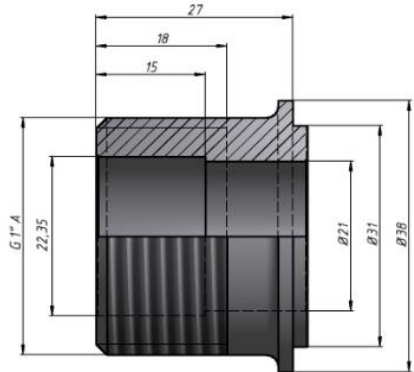


Thickness (L)
 $L = 14.83 + P_{sk} \times 2.29 \text{ mm}$

Weight.
 $M = 2.338 + P_{sk} \times 0.13 \text{ kg}$

P_{sk} – number of plates.

Standard connectors G 1

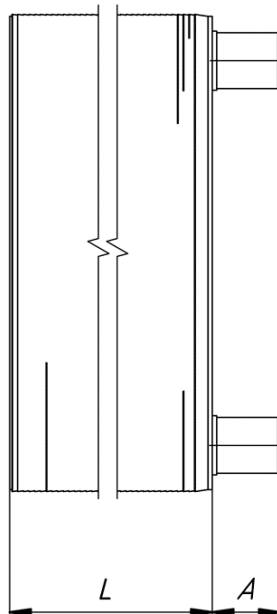
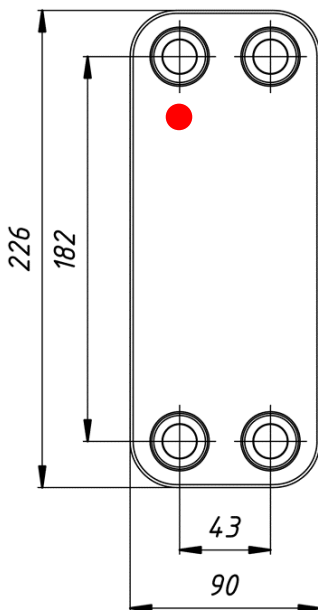


From 10 to 140 plates.

Other connector types by request.

NB 238

Dimensions.

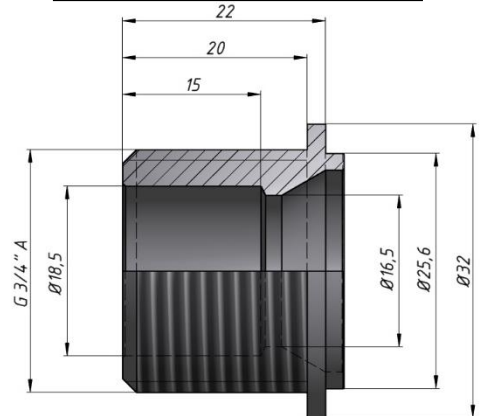


Thickness (L)
 $L = 11.1 + P_{sk} \times 2.35 \text{ mm}$

Weight.
 $M = 0.965 + P_{sk} \times 0.062 \text{ kg}$

P_{sk} – number of plates.

Standard connectors G 3/4

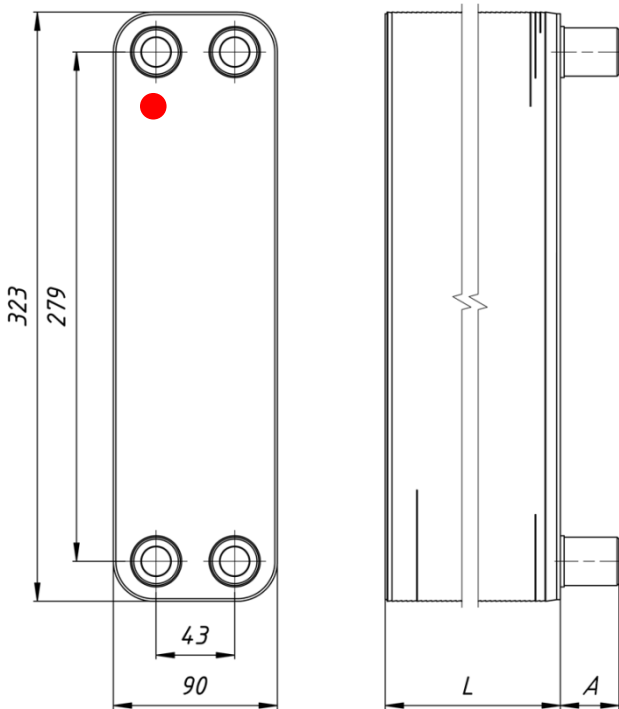


From 8 to 50 plates.

Other connector types by request.

NB 328

Dimensions.



From 8 to 50 plates.

Thickness (L)

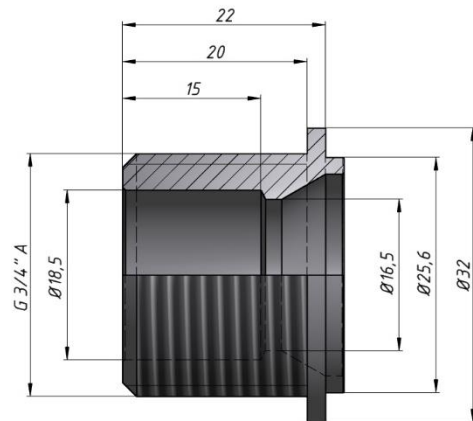
$$L = 11.1 + P_{sk} \times 2.35 \text{ mm}$$

Weight.

$$M = 1.293 + P_{sk} \times 0.089 \text{ kg}$$

P_{sk} – number of plates.

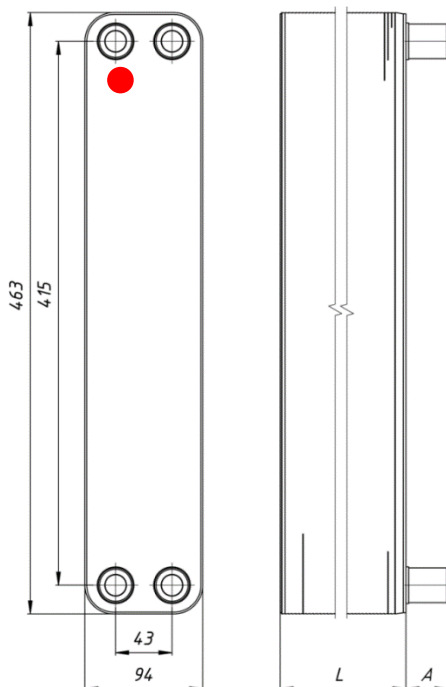
Standard connectors G 3/4



Other connector types by request.

NB 464 / 468

Dimensions.



From 8 to 60 plates.

Thickness (L)

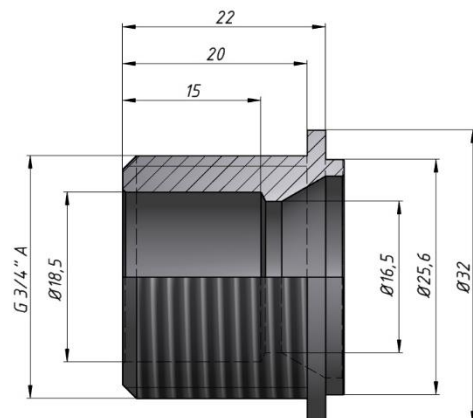
$$L = 14.95 + P_{sk} \times 2.35 \text{ mm}$$

Weight.

$$M = 1.811 + P_{sk} \times 0.128 \text{ kg}$$

P_{sk} – number of plates.

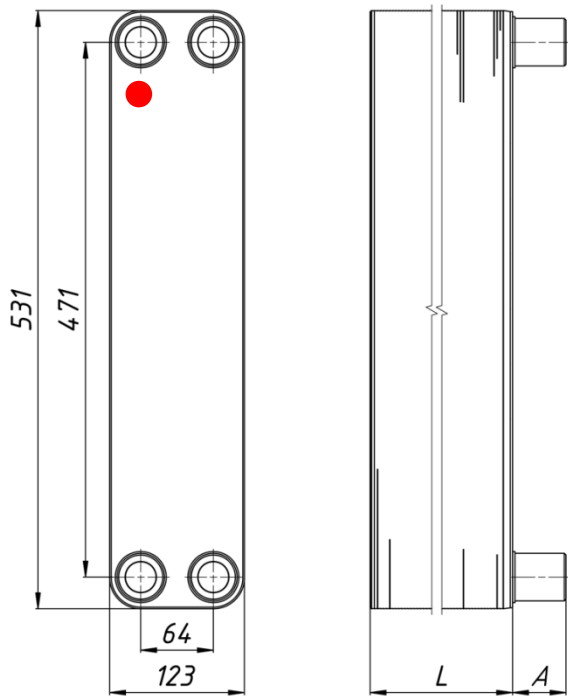
Standard connectors G 3/4



Other connector types by request.

NB 534 / 536 / 538

Dimensions.

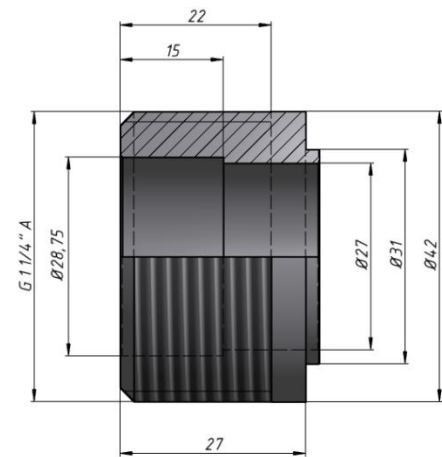


From 10 to 140 plates.

Thickness (L)	Weight.
$L = 14.83 + P_{sk} \times 2.35\text{mm}$	$M = 3.024 + P_{sk} \times 0.186\text{ kg}$

P_{sk} – number of plates.

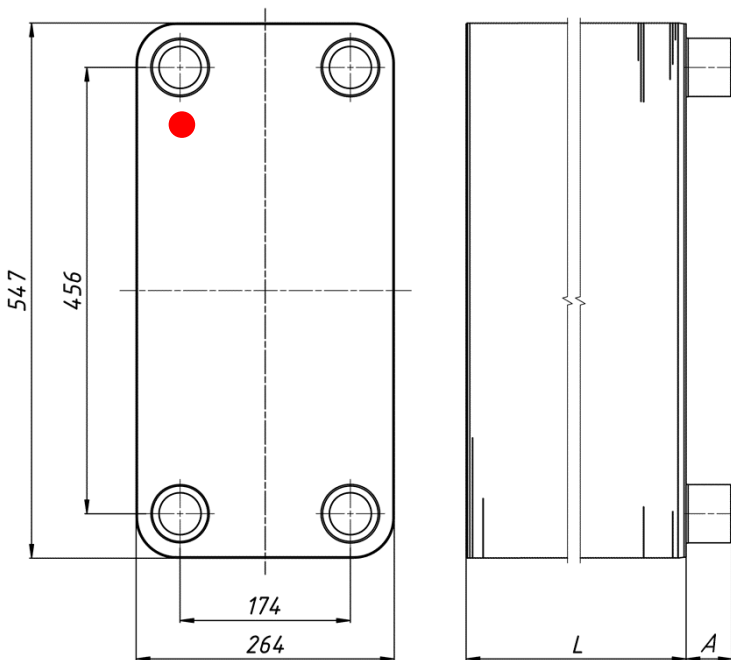
Standard connectors G 1 1/4



Other connector types by request.

NB 754 / 756 / 758

Dimensions.

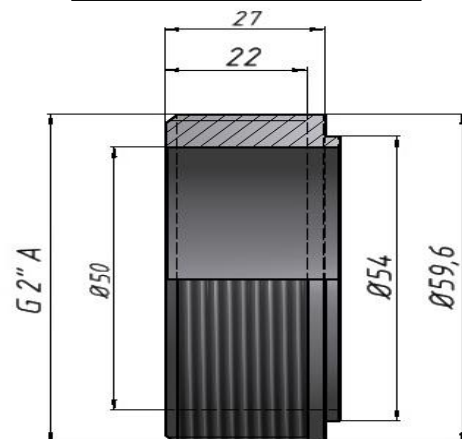


From 20 to 200 plates.

Thickness (L)	Weight.
$L = 15.9 + P_{sk} \times 2.35\text{mm}$	$M = 8.505 + P_{sk} \times 0.389\text{ kg}$

P_{sk} – number of plates.

Standard connectors G 2



Other connector types by request.